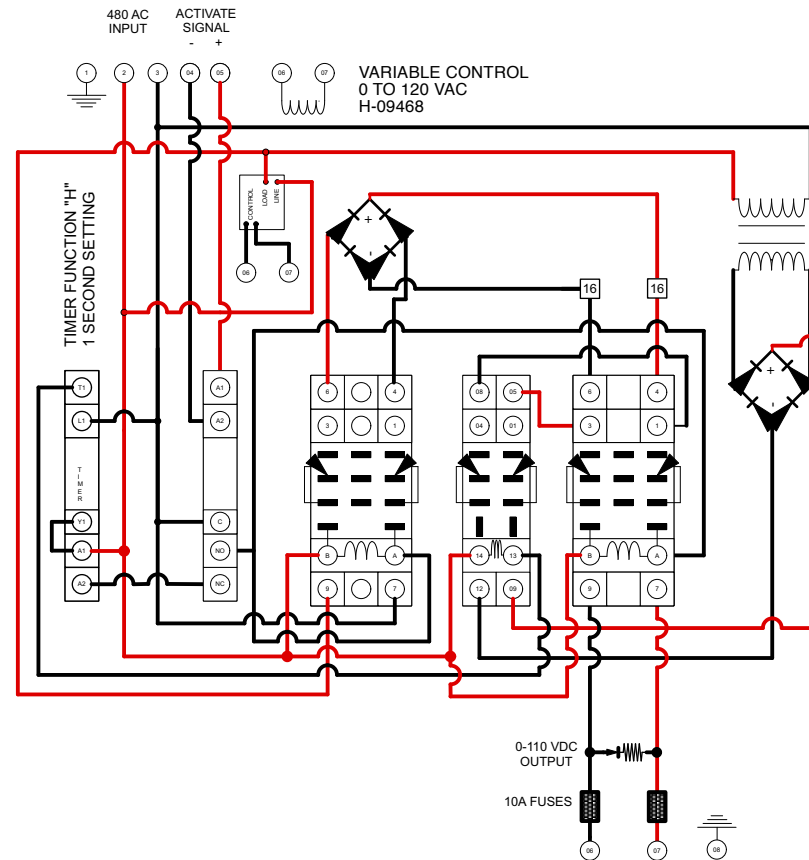
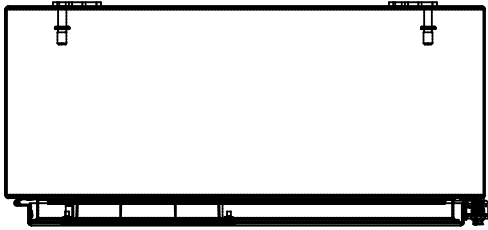


MODEL# AP4V-110-1000D  
 INPUT: 480 VAC  
 POWER: 1000 WATTS  
 OUTPUT: 0-110 VDC  
 CONTINUOUS DUTY





HOFFMAN  
A242008LP

(DATA SUBJECT TO CHANGE WITHOUT NOTICE)

